

Flexible Mounting Hole Provisions includes #10 (M5) holes and ¼" (M6) holes

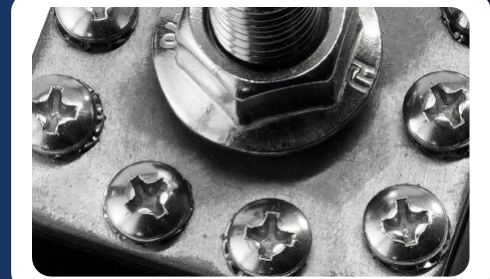
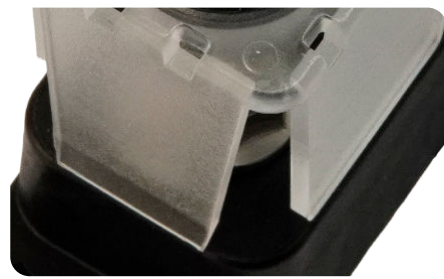
Robust Designs With Insert Molded Stud Connections also include cable caps with single posts and integrated covers with dual posts

Outboard Motor Cable Connections made simple with dual power posts, with M8 / M10 variation ensuring the correct voltages polities are matched

Stainless Steel Self Locking Hardware Ensures long term reliability and ease of installation

Tin Plated Copper Busbars deliver superior electrical performance with minimal voltage drop

FLEX System Height Compatible allows easy busbar connection to other FLEX system components



Related Product: 30 Amp Terminal Blocks

Related Product: Feed Through Terminals



P/N: 2230-04B

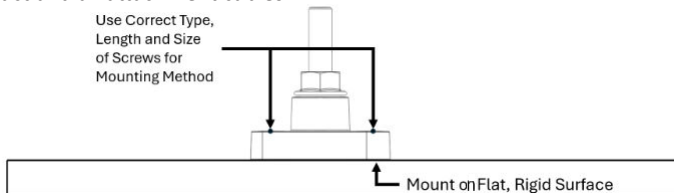


P/N: 6250-130B

Installation Guidelines

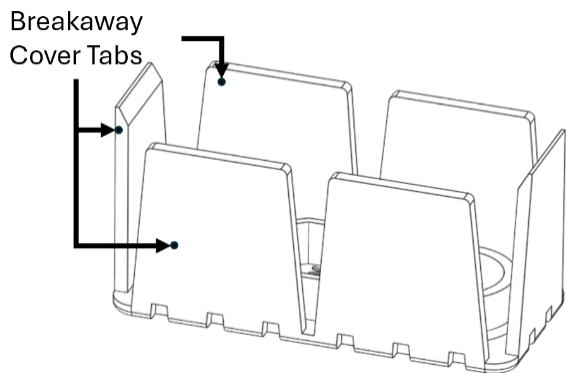
- * DISCONNECT BATTERY FROM POWER DISTRIBUTION SYSTEM BEFORE INSTALLING PRODUCT TO PREVENT ELECTRICAL SHOCK OR FUSE DAMAGE
- * INSTALLER / MANUFACTURE IS RESPONSIBLE AND FULLY LIABLE FOR ENSURING THIS PRODUCT IS INSTALLED IN A MANNER THAT WILL NOT EXCEED THE PRODUCT'S SPECIFICATION
- * FOLLOW AMERICAN BOAT AND YACHT COUNCIL (ABYC) OR OTHER RELEVANT GUIDELINES FOR SELECTING AND INSTALLING THIS PRODUCT TO MEET YOUR APPLICATION

(1) Mount product on a flat surface with sufficient rigidity to support the product and all attachment cables.



(2) Use the appropriate screw type (machine/thread cutting), size (match with pilot or through-hole diameter), and length; ensuring that the weight of the product and associate cables will be properly secured.

(3) Assemble input and output cables to external studs to meet application requirements. Check cable cap or cover fit (depending on product) and if cable/terminal diameter interferes with full seating of terminal or cover, remove breakaway tabs as needed with pliers (dual power posts only). Torque cable terminal nuts to target specification level.



(5) Assemble cover to base (dual Power posts only) by pressing black retainers over corresponding terminal studs.

(6) Strain relief cables to a fixed mounting surface and/or other cables to stop cable weight and system shock/vibration from loosening attachment nuts. Follow minimum strain relief distances per applicable industry standards.

(7) Perform system-level validation in worst-case conditions ensuring maximum cable/terminal temperatures are not exceeded.

Related Products - Feed Through Terminals



P/N: 6250-131B

Specifications

Maximum Voltage (Vdc)	80 Vdc
Maximum Amperage	Based on Attached Cables
Mounting Screw Max Torque	50 in-lbs (5.5 N-m)
M5 Nut Recommended Torque	65 in-lbs (7.4 N-m)
M5 Nut Maximum Torque	75 in-lbs (8.5 N-m)
M6 Nut Recommended Torque	80 in-lbs (9.0 N-m)
M6 Nut Maximum Torque	100 in-lbs (11.3 N-m)
M8 Nut Recommended Torque	100 in-lbs (11.3 N-m)
M8 Nut Maximum Torque	120 in-lbs (13.6 N-m)
M10 Nut Recommended Torque	120 in-lbs (13.6 N-m)
M10 Nut Maximum Torque	140 in-lbs (15.8 N-m)
Mounting Holes	See Drawings
Cover Material (if applicable)	Clear Polycarbonate
Base Material	Nylon 6 30% GF
Operating Ambient Temperature Range	-40 C to 125 C
Max Storage/Shipping Temperatures	-50 C to 140 C
Busbar Material (power post plus)	Tin Plated Copper

Related Products - 65 Amp Terminal Blocks

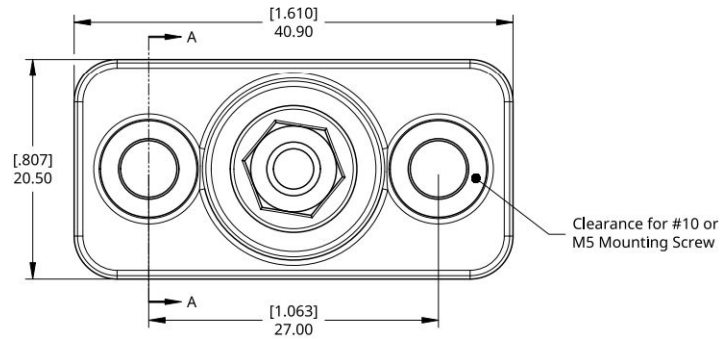
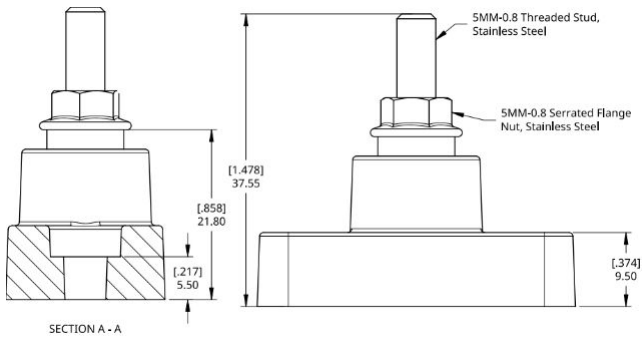


P/N: 2265-02B

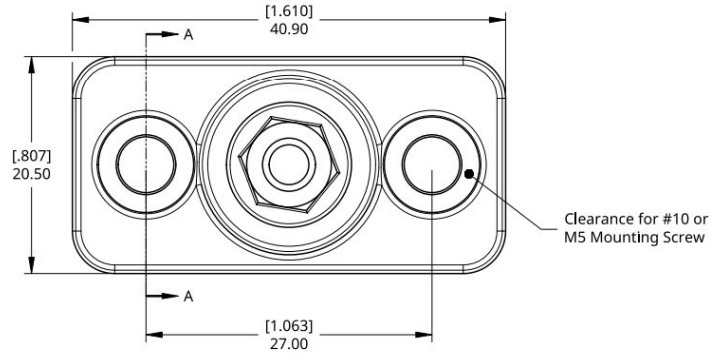
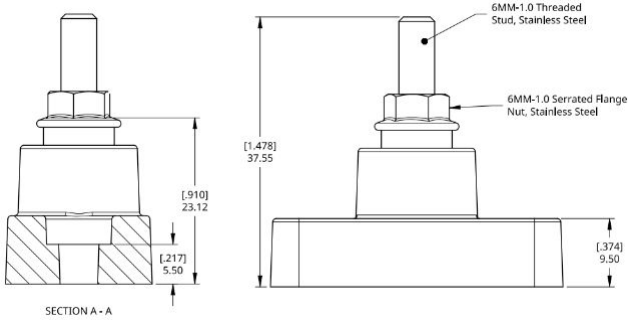
Part Numbers	Resell Pack	Bulk Pack
Mini Power Post , M5 (#10)	6011-01	6011-01B
Mini Power Post , M6 (1/4")	6011-02	6011-02B
Power Post , M8 (5/16")	6012-03	6012-03B
Power Post , M10 (3/8")	6012-04	6012-04B
Power Post Plus,M8(5/16")+10xM4(#8)	6012-310	6012-310B
Power Post Plus,M10(5/16")+10xM4(#8)	6012-410	6012-410B
Dual Power Post , 2xM8 (5/16")	6020-33	6020-33B
Dual Power Post , 2xM10 (3/8")	6020-44	6020-44B
Dual Power Post,M8/M10 (5/16")/(3/8")	6020-34	6020-34B

Related Part Numbers	Resell Pack	Bulk Pack
Terminal Block, 20 A, 2 Circuit	2220-02	2220-02B
Terminal Block, 20 A, 2 Circuit	2220-04	2220-04B
Terminal Block, 20 A, 2 Circuit	2230-02	2230-02B
Terminal Block, 20 A, 2 Circuit	2230-04	2230-04B
Terminal Block, 20 A, 2 Circuit	2265-02	2265-02B
Terminal Block, 20 A, 2 Circuit	2265-04	2265-04B
Feed Through Terminal-M8 (5/16")	6250-130	6250-130B
Feed Through Terminal-M10 (3/8")	6250-140	6250-140B

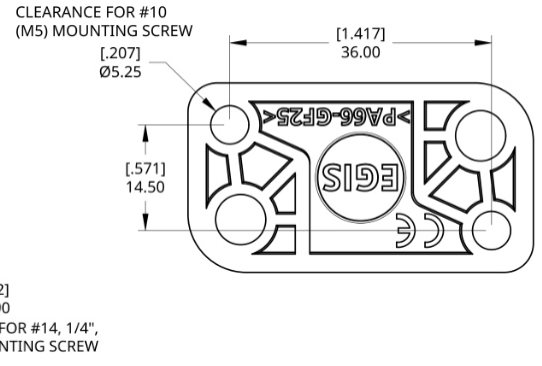
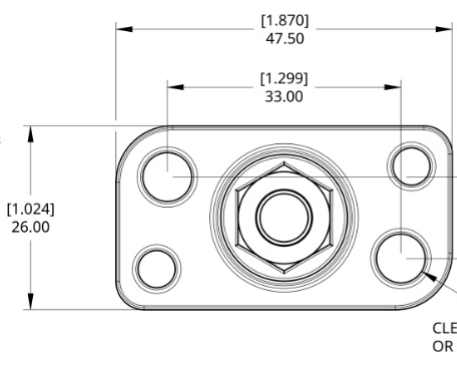
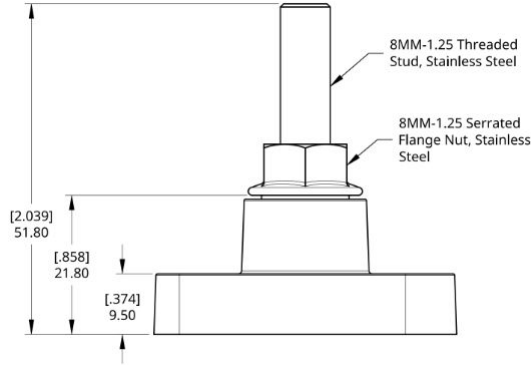
Dimensions - 6011-01 Mini Power Post , M5 (#10)



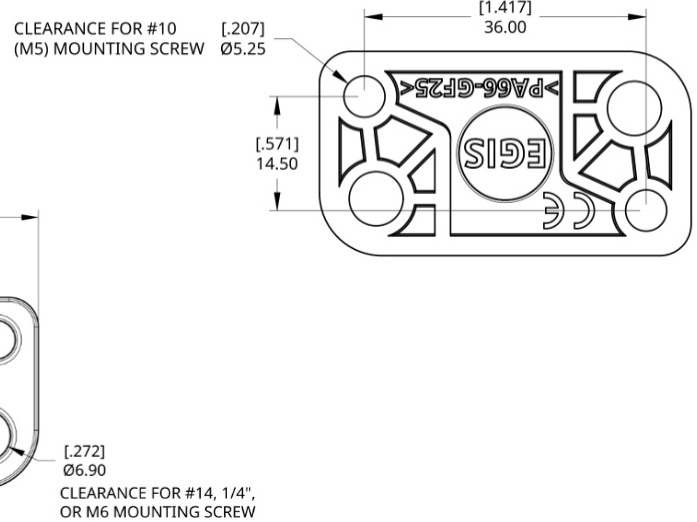
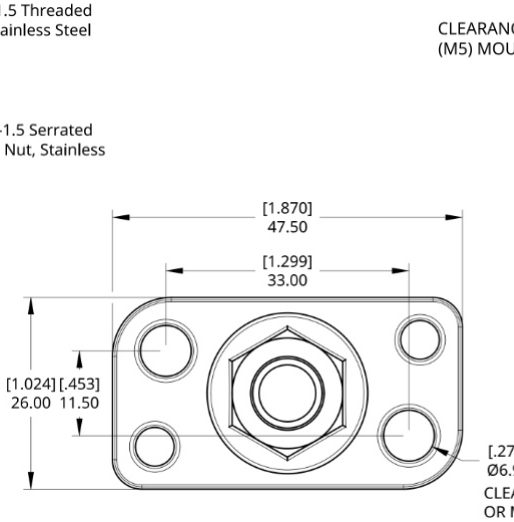
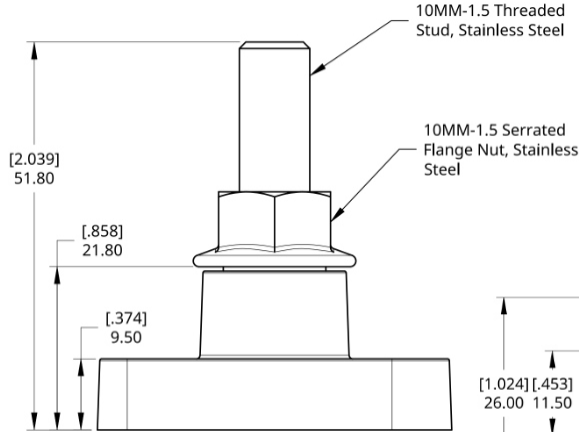
Dimensions - 6011-02 Mini Power Post , M6 (1/4")



Dimensions - 6012-03 Power Post , M8 (5/16")



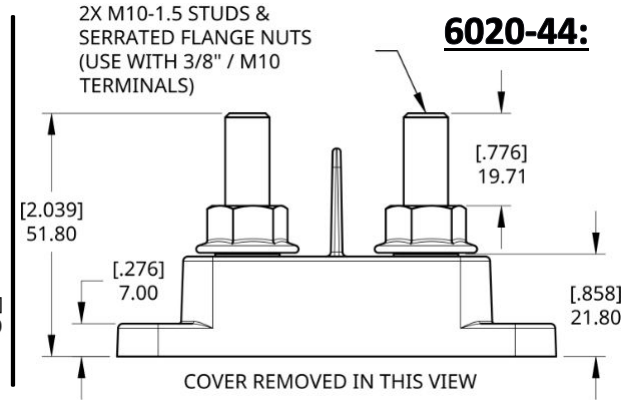
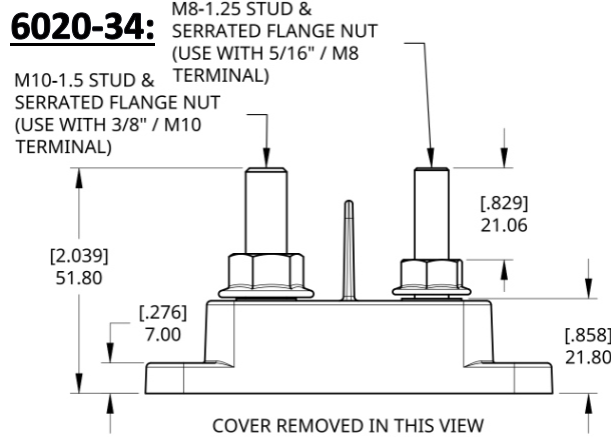
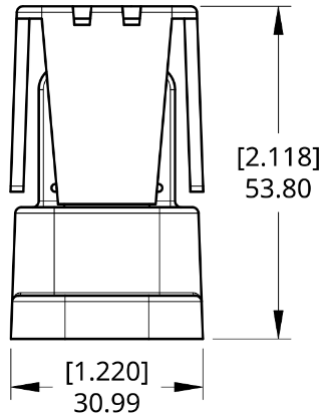
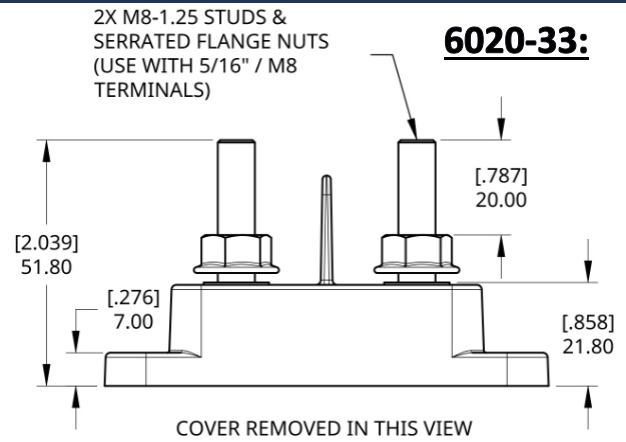
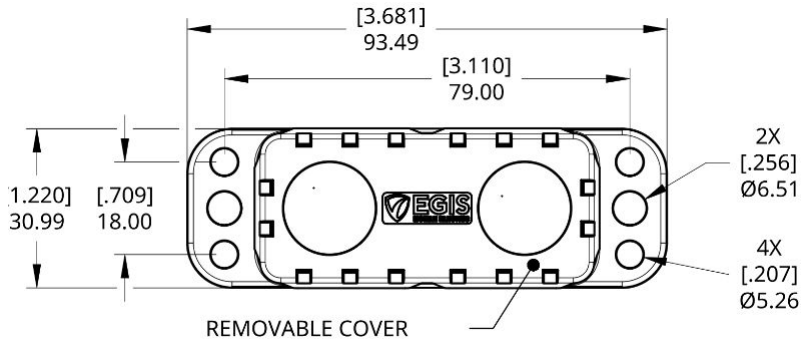
Dimensions - 6012-04 Power Post , M10 (3/8")



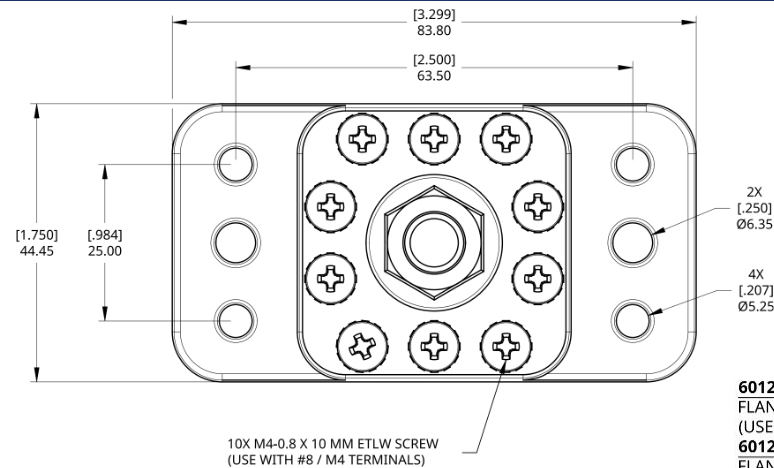
www.egismobile.com
360.768.1211
Bellingham, WA U.S.A



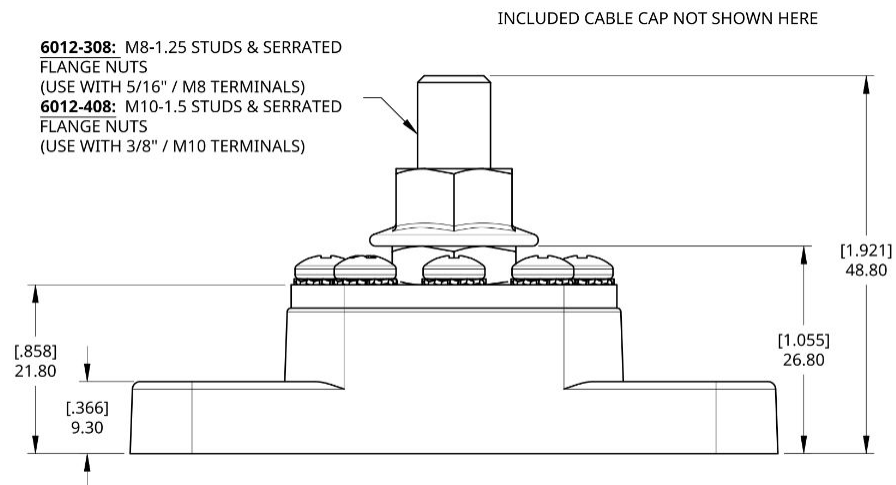
Dimensions - 6020-33, 6020-34, 6020-44



Dimensions - 6012-310 & 6012-410 Power Post Plus



6012-308: M8-1.25 STUDS & SERRATED FLANGE NUTS (USE WITH 5/16" / M8 TERMINALS)
6012-408: M10-1.5 STUDS & SERRATED FLANGE NUTS (USE WITH 3/8" / M10 TERMINALS)



www.egismobile.com
 360.768.1211
 Bellingham, WA U.S.A

