

Easily Mounts In Standard Panels accepting A-Series and C-Series magnetic-hydraulic circuit breakers. Includes mounting screws.

AC & DC Rated to cover a wide range of system application needs.

Toggle-Style Actuator for easy on/off switching control combined with circuit protection.

High Voltage Rating easily supports 12 and 24 Vdc applications while offering advanced protection for 36 and 48 Vdc applications.

High Electrical / Manual Switching Endurance delivers 6,000 cycles at full current.

High Interrupt Current safely protects circuits connected to large paralleled battery banks with significant available power.

Toggle Guard and Panel Plug accessories pair with A-Series breakers to protect against accidental switching and fill unused panel slots.



3201-15



3202-50



3503-50



3200



3205



Standard A & C-Series Panel Mounting



Protects Electrical Circuits from short circuit events and over-current loads, preventing wire insulation overheating and subsequent destruction.



Automatic Circuit Protection & Manual On/Off Switching combines dual functionality in one reliable and compact solution.



Visual Indication of Circuit Opened via position of toggle actuator and ON/OFF marking.

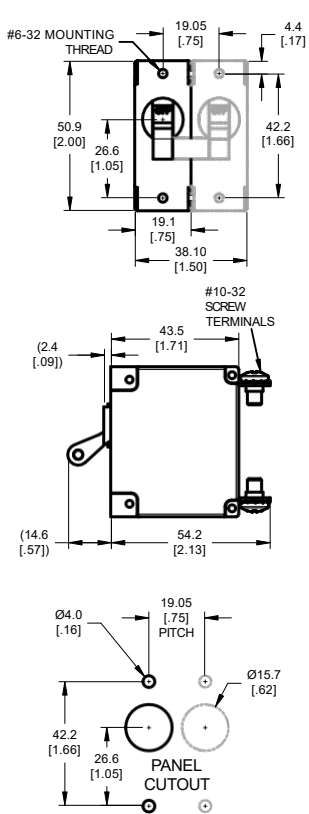


Bullet-proof Construction: High-temperature materials and stainless self-locking hardware.

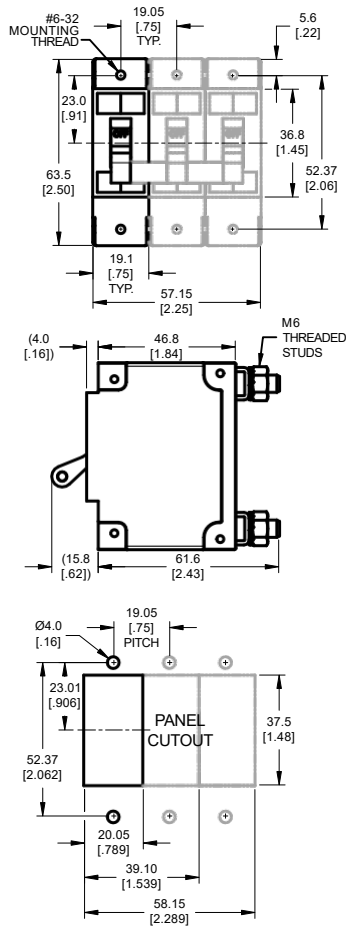


4 Year Industry Leading Warranty

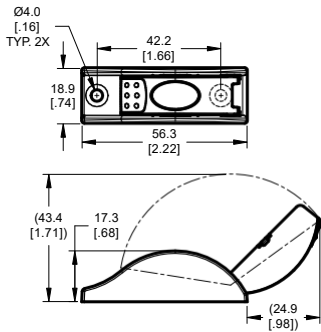
A-Series Toggle Breaker



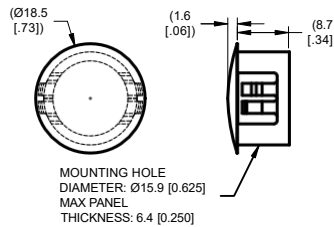
C-Series Toggle Breaker



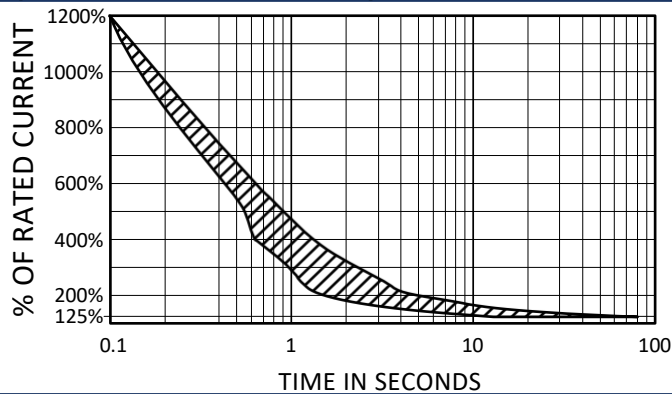
A-Series Toggle Guard



A-Series Panel Plug



Trip Current vs Time Delay



Max Operational Voltage (A-Series)	277 Vac / 80 Vdc
Max Operational Voltage (C-Series)	277 Vac / 125 Vdc
Electrical Endurance @ Rated Current	6,000 cycles
Interrupt Capacity (A-Series)	5kA / 277Vac, 1.5kA / 80Vdc
Interrupt Capacity (C-Series)	5kA / 277Vac, 2kA / 125Vdc
Operating Temperature	-40°C to 85°C (-40°F to 185°F)
Hardware Material	18-8 Stainless, Self-Locking
Terminal Screw Size (A-Series)	#10-32 (accepts M5 ring)
Terminal Stud Size (C-Series)	M6 (accepts 1/4" ring)
Max Terminal Screw Torque (A-Series)	5.3 in-lbs (0.6 N-m)
Max Terminal Stud Torque (C-Series)	26.5 in-lbs (3.0 N-m)
Max Mounting Screw Torque	7.0 in-lbs (0.8 N-m)
Mechanical Vibration	10g
Mechanical Shock	100g
Mounting Screw Thread	#6-32
Regulatory Compliance	UL 1077
CE Marked?	Yes

A-Series Toggle Part Numbers†

	Single-Pole			Double-Pole	
	White	Black	Red	White	Black
2.5A	3201-03			3221-05	
5A	3201-05	3211-05			
8A		3211-08			
10A	3201-10	3211-10	3221-10		
15A	3201-15	3211-15	3221-15	3202-15	
20A	3201-20	3211-20	3221-20	3202-20	
25A	3201-25	3211-25	3221-25		
30A	3201-30	3211-30	3221-30	3202-30	3212-30
40A	3201-40	3211-40	3221-40		
50A	3201-50	3211-50	3221-50	3202-50	

C-Series White Toggle Part Numbers†

	Single-Pole	Double-Pole	Triple-Pole
10A	3501-010		
15A	3501-015		
20A	3501-020		
25A	3501-025		
50A	3501-050	3502-050	3503-050
60A	3501-060		
100A	3501-100		

Accessory Part Numbers

	Retail	Bulk
Toggle Guard, A Series Circuit Breaker	3200	3200B
Panel Hole Plugs, A-Series, 6 Pack	3205	3205B

† APPEND 'B' TO PART NUMBER FOR BULK PACK. WITHOUT 'B' IS RETAIL PACK. EXAMPLE: 3201-03 IS RETAIL PACK, 3201-03B IS SAME PART IN BULK PACK

* DISCONNECT BATTERY FROM POWER DISTRIBUTION SYSTEM BEFORE INSTALLING PRODUCT TO PREVENT ELECTRICAL SHOCK OR PRODUCT DAMAGE



www.egismobile.com
360.768.1211
Bellingham, WA U.S.A

