

- Sealed Against Harsh Environments
- 500 Amp Total / Pass-Through Current
- Five 20 - 200 A MIDI/AMI Fuse Slots
- Stainless Steel Self-Locking Hardware
- M6 (1/4") or M8 (5/16") Outputs
- Easy Busbar Connection to XD Relays



- Cover Included



5X Midi



3X Midi

- Fuses Sold Separately



Extensive Set of Kits & Accessories For Plug & Play Install and Complete Switching/Protection Solutions.



8793B Triple Link Busbar



8794B Quad Link Busbar



8790B Dual Link Busbar



Protects Higher Amp Electrical Circuits from short circuits and overload events



Protects Add-On Circuits from accidental short circuits to frame ground or battery negative, or from overload events.

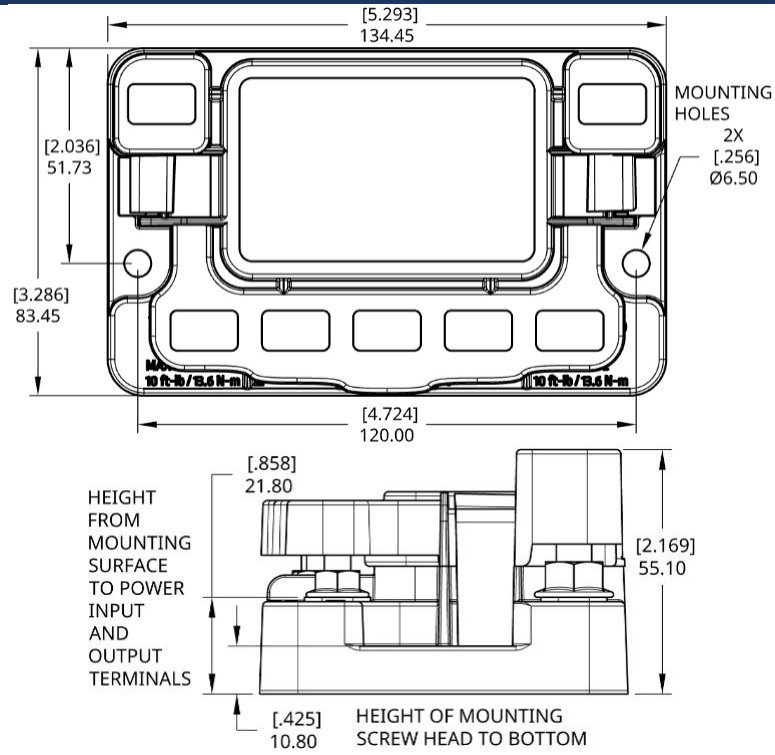


Bullet-proof Construction: High temp materials, Gore-Tex pressure regulating vent, and stainless steel self-locking hardware allow mounting anywhere.

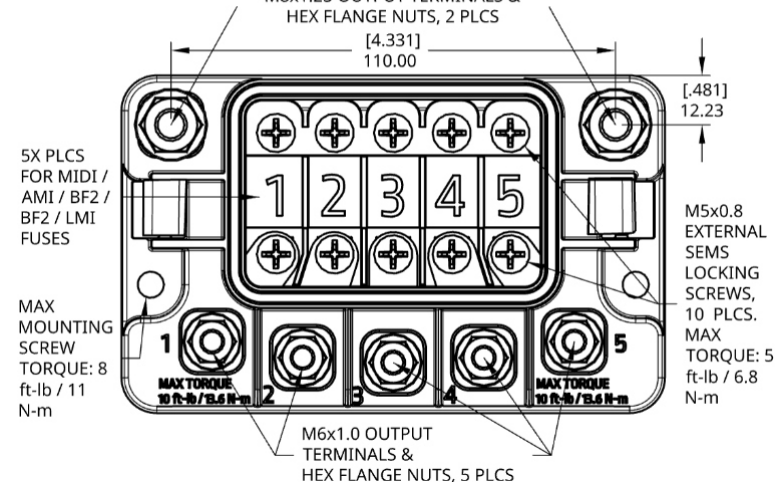


5 Year Industry Leading Warranty

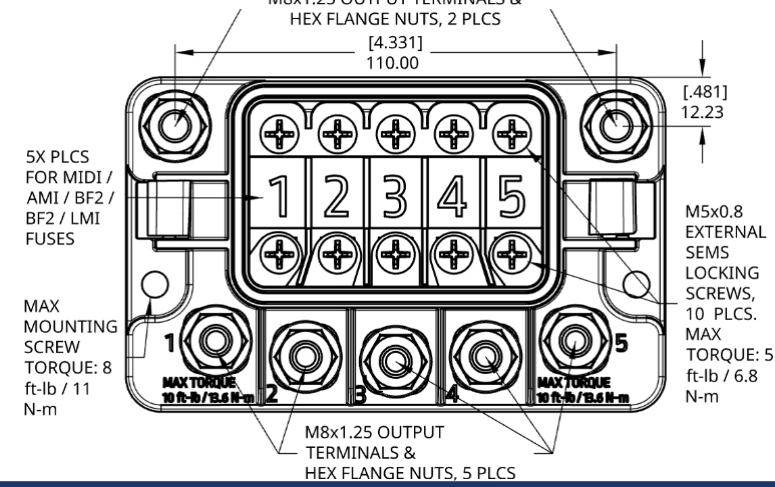
Product Dimensions- 3906 / 3908



3906 Details



3908 Details



Specifications

Max Total Continuous Current (Pass-Through & Fuse Output Current)	500 Amps
Max MIDI /AMI Fuse Value	200 Amps
Max M8 Power I/O Cable Size	4/0 AWG
Max M6/M8 Fuse Output Cable	2/0 AWG
Operating Temperature Range	-55 to 125 C
Ignition Protected	Yes, Per SAE J1171
Ingress Protection Rating	IP66 & IP6K9K
Max Vibration Withstand	50g (10-2000 Hz)
Max Shock Withstand	50 g
Hardware Material	Stainless Steel Self-Locking
M6 Terminal Stud Target/Max Torque	80 in-lbs/110 in-lbs
M8 Terminal Stud Target/Max Torque	100 in-lbs/120 in-lbs
Fastener Size for Mounting Holes	M6 or 1/4"
Mounting Fastener Maximum Torque	80 in-lbs

Related Product - Compact Midi Fuse Block

- Compact 2.0" x 1.7" Footprint
- Cover Included
- Ignition Protected
- Splash Proof, IP64



P/N: 3914B

Part Numbers

Part Number	Bulk Pack Part Number
Sealed MIDI Fuse Block, 5 Circuit, M6 Outputs	3906B
Sealed MIDI Fuse Block, 5 Circuit, M8 Outputs	3908B
Sealed MIDI Fuse Block, 3 Circuit, M6 Outputs	3806B
Sealed MIDI Fuse Block, 3 Circuit, M8 Outputs	3808B

Related Part Numbers

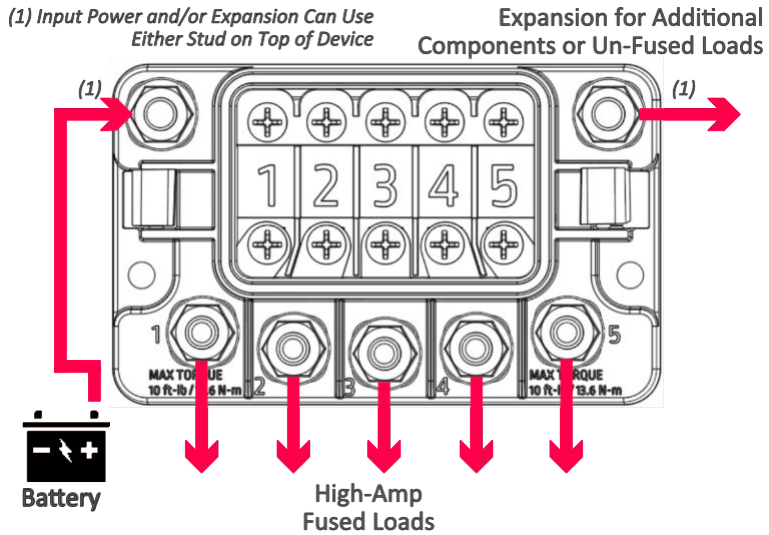
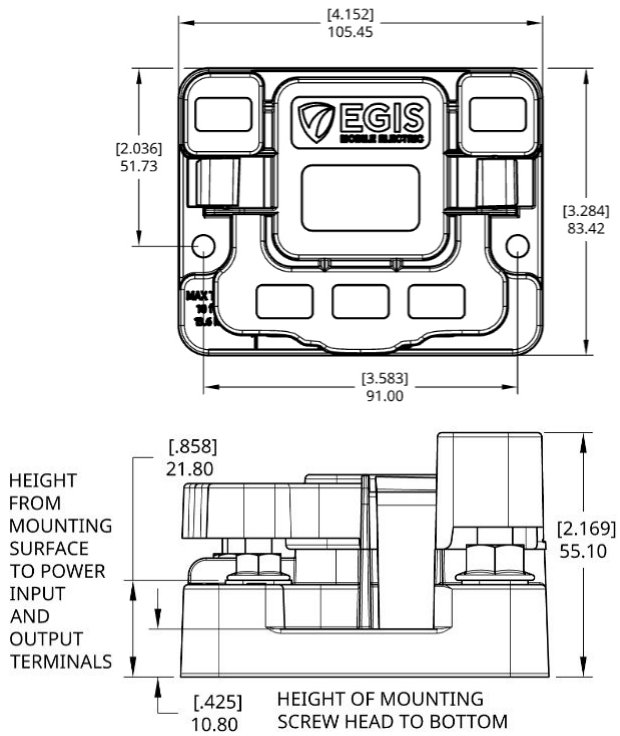
Part Number	Bulk Pack Part Number
2 Hole Straight Link Busbar	8790B
3 Hole L Shaped Link Busbar	8793B
4 Hole Quad Link Busbar	8794B
MT Series Sealed ATM Block 12 Circuit	3412B
MT Series Sealed Split Input ATM Block 6+6 Circuits	3466B
MT Series Sealed Split Input ATM Block 9+3 Circuits	3493B
MT Series Sealed Split Input ATM Block 3+9 Circuits	3439B
Compact Midi/AMI Fuse Block	3914B
Linkable Midi/AMI Fuse Block With Cover	3810B

* Custom product configurations available including stud sizes, and control harness wires. Low minimum quantities and short lead time for samples or production. Contact us at support@egismobile.com for more information

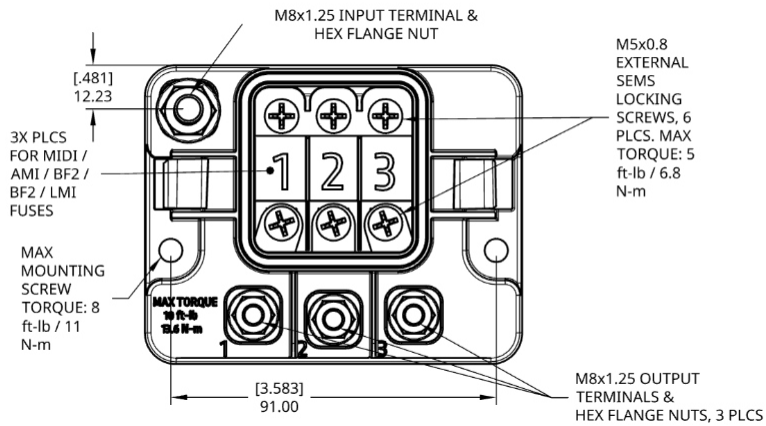


www.egismobile.com
 360.768.1211
 Bellingham, WA U.S.A

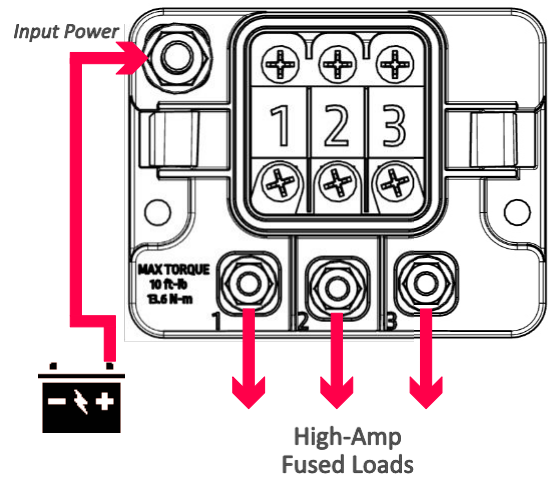




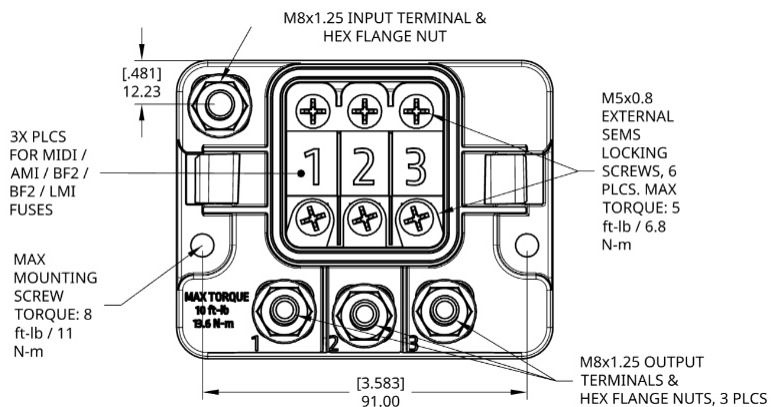
3806 Details



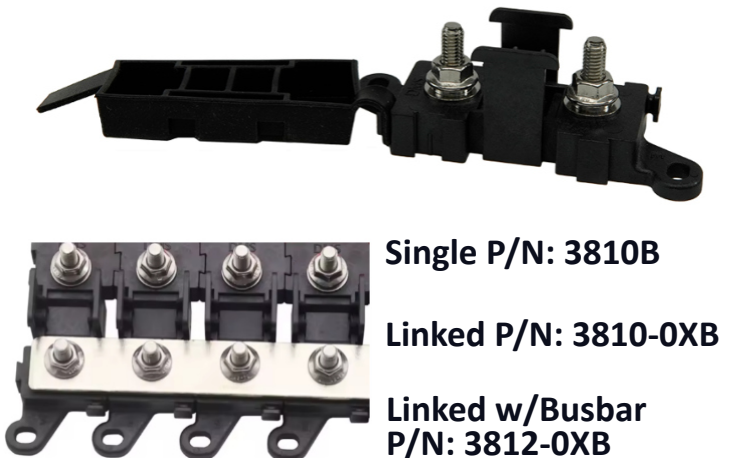
Typical Connection Diagram- 3806B / 3808B



3808 Details



Related Product - Linkable Midi/AMI Fuse Block



Example System Configurations with Associated Products

