

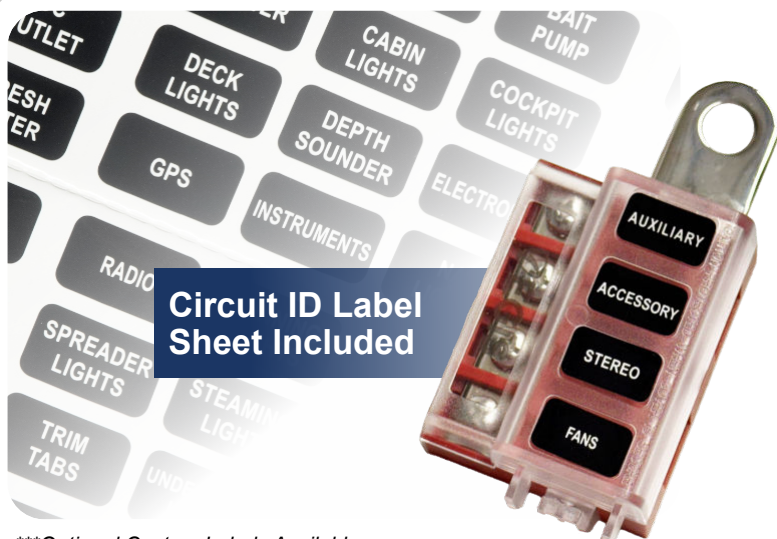
Compact inline 4 & 8 position fuse blocks have single side wire entry for tight installations spaces.

Ignition Protected when latching cover is secure for use in engine bay / combustible environments.

Harsh Environment Design with stainless steel self-locking hardware and optional weather-proof labels in standard or customized options

8037 6 Circuit Independent input/output fuse block allows for all positions to be isolated and fused separately.

Includes Latching Protective Cover with integrated label recesses for easy circuit/fuse identification



Circuit ID Label Sheet Included

***Optional Custom Labels Available
(MOQ 10pcs of Label Sheets 40 Labels per sheet)
Contact sales@egismobile.com for more info.

Marine Grade Construction: Designed with high temperature materials and stainless steel self-locking hardware allow mounting anywhere on vehicle or vessel.



Supports SAE & ABYC Circuit Protection Standards for thermal/short circuit events.

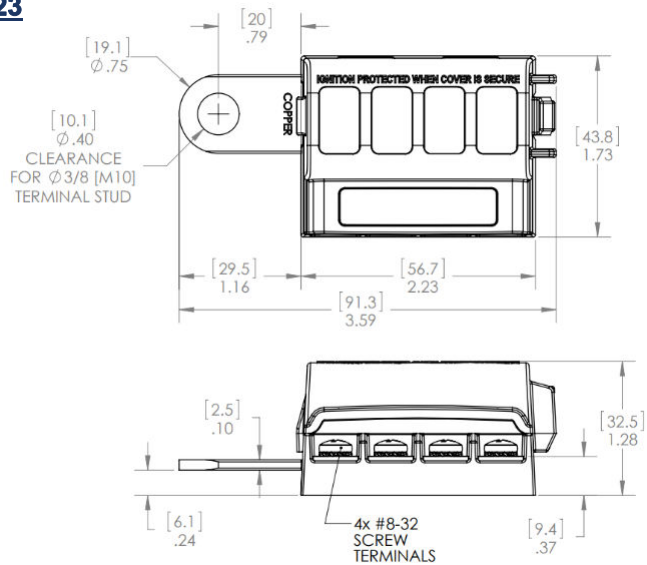


Protects Branch Circuits by accepting ATO style fuses ranging from 1 through 40 Amps

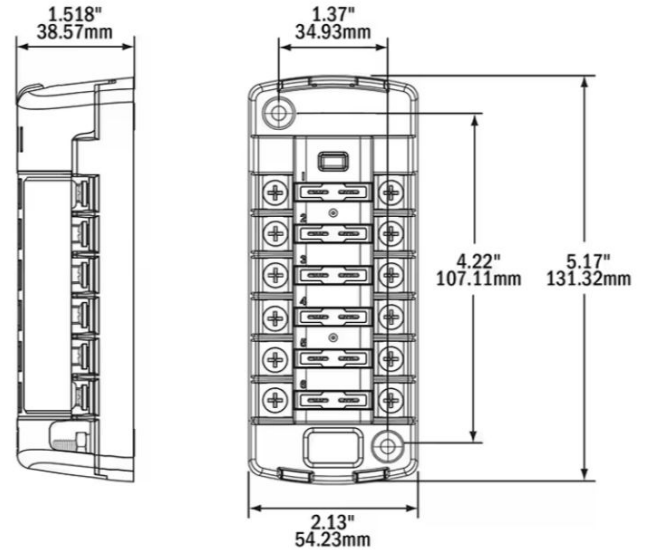


4 Year Industry Leading Warranty

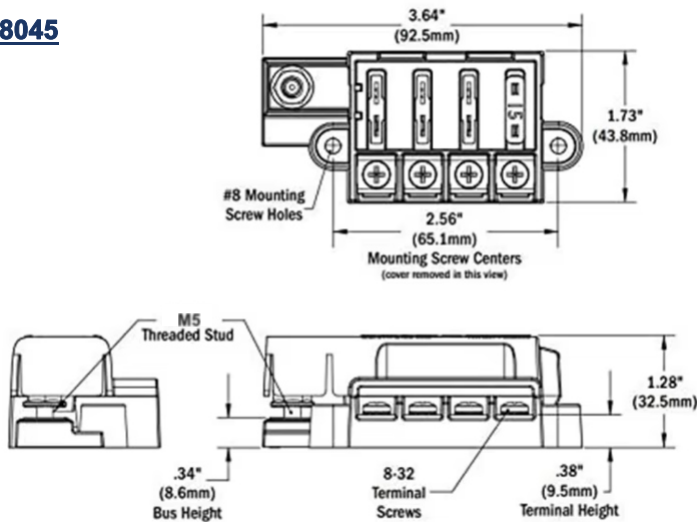
8023



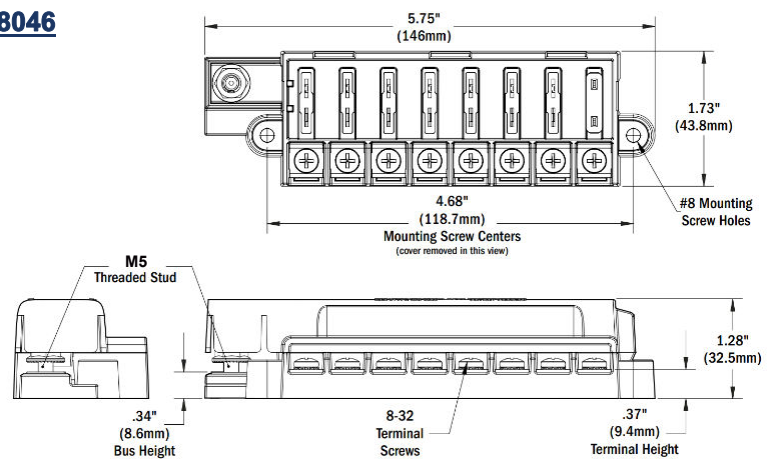
8037



8045



8046



Specifications

Nominal Voltage	12/24 Vdc
Voltage Range	0-60 Vdc
Maximum Current (Entire Block)	100 Amps
Maximum Current Per Circuit	30 Amps
Maximum Output Terminal Size	10 AWG
Input Cable Size To Meet Ratings	6 AWG
Maximum Input Terminal Size	2 AWG
Hardware Material	18-8 Stainless Steel
Input Terminal Nut Size	M5-0.8
Output Screw Size	M4-0.7 x 8mm
Input Terminal Torque	1.70 N-m (15 in-lb)
Output Screw Torque	1.13 N-m (10 in-lb)
Input Ring Terminal Size (8045, 8046, 8037)	M5 / #10 / 1/4"
Input Ring Terminal Size (8023)	M10 / 3/8"
Output Ring Terminal Size	M4 / #8
Input Nut Hex Size / Nut Clearance	8mm / 12mm

Part Numbers

	Retail	Bulk
RT Battery Terminal Mount Fuse Block 4 Circuit	8023	8023B
RT Fuse Block 6 Independent Circuits w/Cover	8037	8037B
RT Fuse Block 4 Circuits w/Cover	8045	8045B
RT Fuse Block 8 Circuits w/Cover	8046	8046B

Related Part Numbers

	Retail	Bulk
RT Fuse Block, 6 Circuit w/Ground	8025	8025B
RT Fuse Block 12 Circuit w/Ground	8026	8026B
RT Fuse Block, 6 Circuit	8028	8028B
RT Fuse Block 12 Circuit	8029	8029B
RT 12 Circuit Ground Block	8030	8030B
RT Fuse Block, 18 Circuit w/Ground	8031	8031B
RT Fuse Block, 18 Circuit	8032	8032B

(1) Contact factory for custom label sheet configurations of weather resistant labels design to provide professional finish appearance to installations.