

24V 315Ah BATTERY MODULE

GTX SERIES

CAT # GTX24V315A-F24



Battery Details

315Ah at 25.6V
8,064 Watt-Hours



UL 1973 Certified for
Motive Applications

Key Benefits

- ✓ Safe, Non-Toxic Lithium Iron Phosphate Cells
- ✓ NeverDie® Battery Management System Maximizes Lifespan
- ✓ Fire and Crush Tested Aluminum Alloy Enclosure meeting UL 1973 Certification

Reliable Power, Unmatched Versatility

Our battery system features easy expandability for extended run times and delivers dependable performance, even in extreme temperatures.

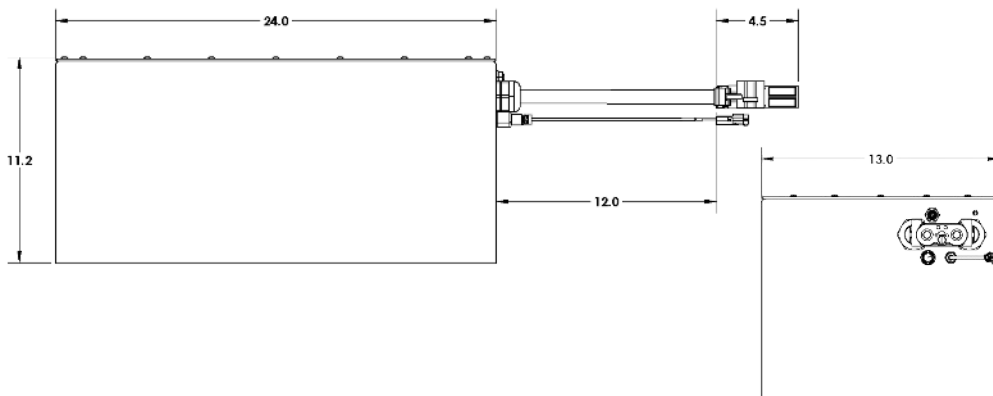
DIMENSIONS

Size (L x W x H):

24.0" x 13.0" x 11.2"
(609.6 x 330.2 x 281.9)

Weight:

144lbs
(65.3kg)



SPECIFICATIONS

VOLTAGE AND CAPACITY

25.6V 315Ah 8,064Wh

SHIPPING

UN3480, Class 9

CERTIFICATIONS

UN38.3, UL1973 (battery assembly) UL 1642, UL1973 (cells)

STORAGE

Refer to the Lithionics® Website for the Storage Procedure

ELECTRICAL

<3mΩ Resistance
99% Coulombic Efficiency
<3% Self-Discharge Rate (per month)
Prismatic, LiFePO₄ Cells
Power Connection: Anderson A320 Female

DISCHARGE

23.2V to 28.8V ±0.4V
-22 to 140°F (-30 to 60°C)
<160A Recommended Discharge Current
<400A Discharge Current
<3,000A Pulse Current (1 second)
23.2V ±0.4V Cut-Off Voltage

*Charging and discharging rates vary with temperature and usage

*UL1973 testing: Maximum charge and discharge currents were tested at 25°C/77°F

MECHANICAL

Mounting Orientation: Upright position only (black lid up)
Aluminum 5052.090" Enclosure
Military Grade Corrosion Protection Enclosure
Ingress Protection: IP66

CHARGE

28.8V ±0.4V
32°F to 140°F (0 to 60°C)
-4°F (-20°C) with Heater Power Connected
<157.5A Recommended Charge Current
27.7V ±0.4V Float Voltage
<300A Charge Current

APPLICATION NOTE: EXTERNAL BMS REQUIRED. BMS SOLD SEPARATELY.

Powering Innovation.

Discover the right lithium replacement system for you. Reach out to Lithionics' expert support team to find your perfect power solution.

BMS Advanced Features

- External Battery Management System (BMS) for enhanced safety and monitoring
- Bluetooth connectivity for real-time diagnostics
- State-of-Charge (SoC) monitoring to prevent unexpected shutdowns
- High current capability up to 400A for versatile applications
- Remote monitoring app (Google Play and Apple App Store)



CAT # NDV9