

**Integrated Sealed Connector** ensures low-amp electrical connections are protected from moisture and corrosion

**Compact Solution** mounts vertically or horizontally to maximize installation flexibility

**Eliminates Butt Splice Connections** and Provides accessible pin-out testing ability through removal of the mating connector

**Replaces Bus Bars and Terminal Blocks** with OEM quality sealed connections



*Related Product: 5015 CT Series Fuse Block*



**Protects Batteries** from bridging galvanic corrosion related unwanted power drain.



**Simple & Robust Installation:** Integrated sealed MX-150 (USCAR) plug for low-amp circuits protects wire connections from moisture / corrosion and offers simple plug-in installation.



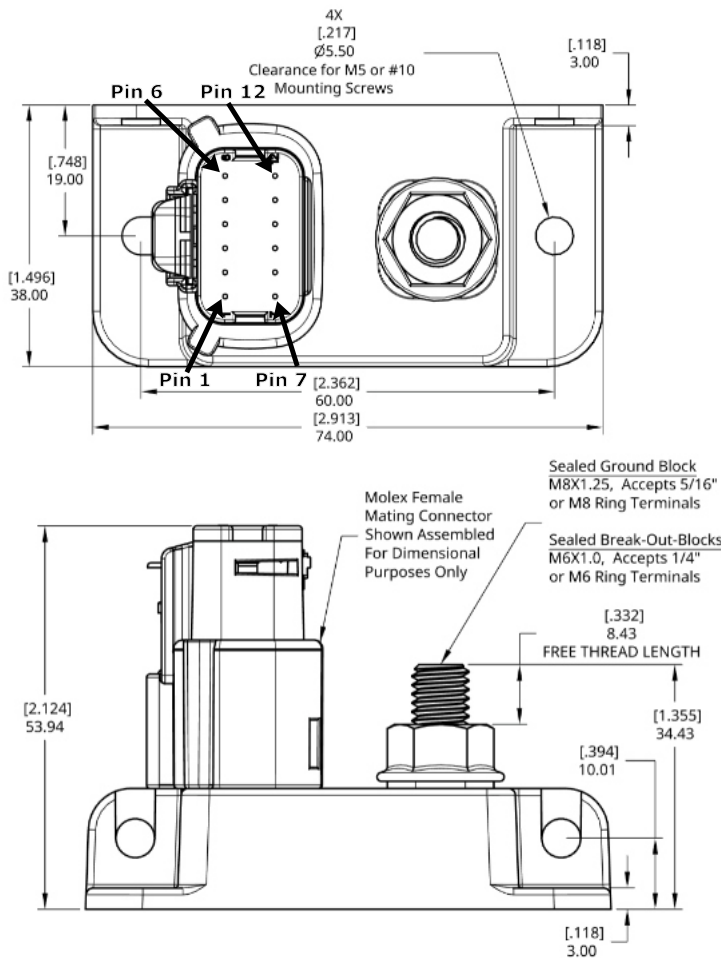
**Protects Add-On Circuits** normally connected with exposed terminal blocks from accidental short circuits to frame ground or battery negative



**Bullet-proof Construction:** Sealed low-amp connections, high temp materials, and stainless self-locking hardware allow mounting anywhere.



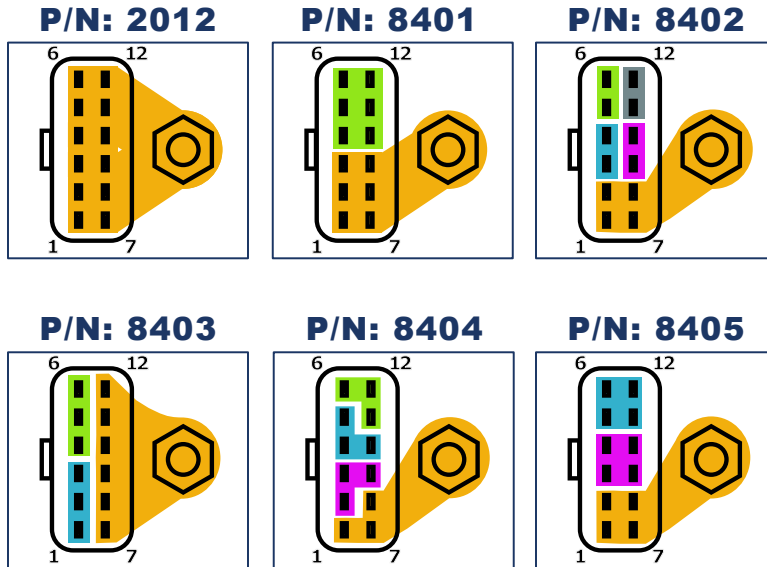
**Lifetime Satisfaction Guarantee**



Connector Kit - 12 Position MX-150 (PN: 4611)



**4X**  
**Cavity**  
**Plugs**



Specifications

Max Total Continuous Current (Amps)	200
Max Current Per MX-150 Terminal	22
Input Cable Size to Meet Max Ratings	2/0 AWG
Maximum Input Cable Size	4/0 AWG
Hardware Material	Stainless Steel Self-Locking
M8 or M6 Terminal Stud Torque	80 in-lbs
Ignition Protection	Per ISO-8846
Operating Temperature	-40 to 125 C
Operating Humidity	0 to 90% RH
Ingress Protection	IP67 / IP6K9K
Mechanical Vibration	12g
Mechanical Shock	35g / 10 cycles

\* DISCONNECT BATTERY FROM POWER DISTRIBUTION SYSTEM BEFORE INSTALLING PRODUCT TO PREVENT ELECTRICAL SHOCK OR PRODUCT DAMAGE

Part Numbers	Resell Pack	Bulk Pack
CT Series Sealed Ground Block	2012	2012B
12 Position MX-150 Connector Kit	4611	4611B
Custom 12P Connector Harnesses		Contact Us
Sealed Break Out Box 2x6 Circuits		8401B
Sealed Break Out Box, 1x4 + 4x2 Cir		8402B
Sealed Break Out Box, 1x6 + 2x3 Cir		8403B
Sealed Break Out Box, 4x3 Circuits		8404B
Sealed Break Out Box, 3x4 Circuits		8405B
Cable Cap for Input/Output Stud		4218
CT Series 8+2 Fuse Block	5015	5015B

\* Custom product configurations available including stud sizes, and control harness wires. Low minimum quantities and short lead time for samples or production. Contact us at support@egismobile.com for more information