

TAA 
COMPLIANT

AP Pro AX (HW2)

Super Rugged and Wi-Fi 6 Ready

Built like a Tank

An **IP67 enclosure** provides a solid exterior to protect not only the device, but your connection as well.



Enterprise-Grade Roaming Speeds

Bring in an **unbreakable connectivity** wherever you need it. Experience the speed of an office network even while you're on the field.

Mesh Capability

With **Wi-Fi mesh support**, have the flexibility to deploy the device wherever it's needed and eliminate all the blindspots in your network.



Preview

Free WiFi

I have read and agree to the [Terms and Conditions](#)

Captive Portal Settings

Name Company Name

Access Mode

Turnkey Captive Portals

Captive portals are simple to create and easy to customize. Implement a **guest network** with just a few clicks.

Seamless Integration within Peplink's Ecosystem

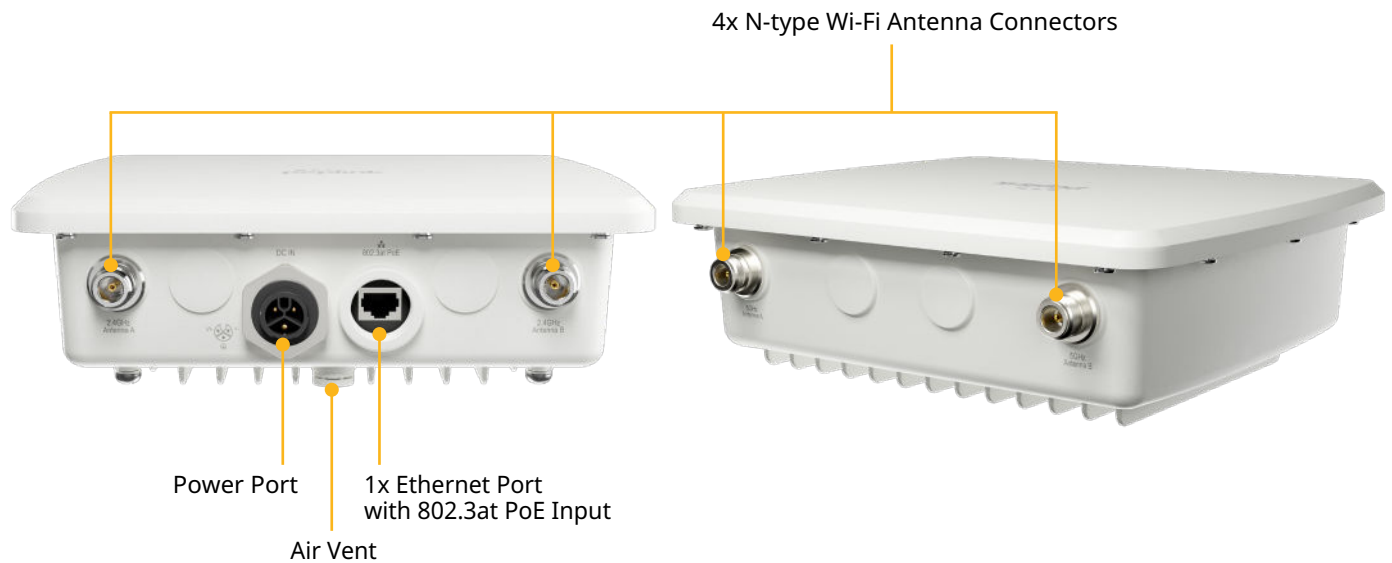
Built for use in the **Peplink Ecosystem**, link up the new access point to the rest of your Peplink network for instant connectivity.



Perfect for Demanding Deployments

Provide **Wi-Fi 6** connections to factories, construction sites or harbor sides. No matter the weather, no matter the conditions.

AP PRO AX (HW2)



Specifications

Ethernet Ports	1x 10/100/1000M Ethernet	Power Input	802.3at PoE+ ² Power Port: 12V DC
Wi-Fi Standard	Simultaneous Dual-Band (2.4GHz/5GHz) Wi-Fi 6 2X2 MIMO	Power Consumption	14.5W (max.)
Data Rates	2.4 GHz: up to 574 Mbps 5 GHz: up to 1200 Mbps	Operating Temperature	-40°F - 149°F -40°C - 65°C
Channel Width	20/40/80 MHz	Warranty	1-Year Limited Warranty
Recommended clients per Radio	256	Network	Bridge Mode Router (NAT) Mode Mesh Wireless Distribution System (WDS) Support for PPPoE, Static IP, DHCP Management VLAN Spanning Tree Protocol
SSID Per Radio	16	Radio	Multiple SSID Auto Channel Selection Transmit Power Adjustment Neighbor AP Detection
Transmit Power	2.4GHz: 24dBm 5GHz: 25dBm	AP Security	Open (No Encryption) Enhanced Open (OWE) WPA3 - Personal WPA3 - Enterprise WPA2/WPA3 WPA2 - Personal WPA2 - Enterprise WPA/WPA2 - Personal WPA/WPA2 - Enterprise
Antenna	External Omni Directional Antennas ¹ 2x 8dBi - 2.4GHz 2x 8dBi - 5GHz	Device Management	Web Administrative Interface InControl Cloud Management Peplink AP Controller SNMP v1, v2c and v3
Connector type	4x Female N-Type Wi-Fi Antenna Connectors		
Enclosure	Plenum-rated enclosure (Waterproof IP67 Outdoor)		
Dimensions	10.0 x 8.9 x 3.1 inches 255 x 225 x 78 mm		
Weight	3.53 pounds / 1600 grams		

¹ External Omni Directional Antennas are not included in the package.

² AC/DC adapter and PoE Injector are not included.
Specifications are subject to change without notice.

Specifications

Client Management	Per SSID VLAN with QoS (802.1p/802.1q) Bandwidth Control MAC Address Filtering Layer 2 Client Isolation Limit on Max. Number of Clients Per Client VLAN with RADIUS VLAN with VLAN Pool Bandwidth Control Multicast Filter IGMP Snooping/Multicast Enhancement	Captive Portal by InControl	
		Package Contents	1x AP Pro AX 1x Water Proof M25 Ethernet cable gland 1x Water Proof DC power plug 1x Mounting kit 1x M6 screw set 1x Wall screw with anchor set

Ordering Information

Product Code	Description
APP-AX-IP67	2 x 2 MU-MIMO Wi-Fi 6 AP, Simultaneous Dual-Band 802.11a/b/g/n/ac/ax, Industrial-grade in a waterproof and dust-tight IP67 outdoor enclosure.

Featured Add-on

Product Code	Description
ACW-107	802.3af/at PoE Injector. Compatible with MAX Hotspot and AP One AX Series
ACW-825	2.4GHz & 5GHz Outdoor Wi-Fi Antenna Kit include 2x 2.4GHz and 2x 5GHz Outdoor Wi-Fi Omni Antenna (2x ACW-202 & 2x ACW-308)

Installation Guide

Ethernet Connector

In the kit:



Component A



Component B



Component C



Component D

You have to prepare:

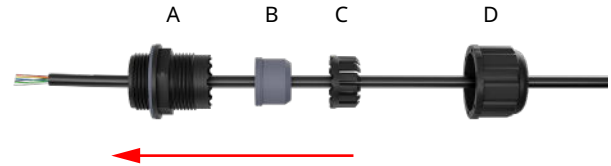


RJ45 Plug



Ethernet Cable
with Exposed Conductors

Step 1: Guide the cable through components A, B, C and D carefully.



Step 2: Insert the conductors into the RJ45 plug, ensuring that each conductor follows the correct color sequence.



Step 3: Plug the cable into the Ethernet port.



Step 4: Tighten components A and D.



Installation Guide

DC Power Connector

In the kit:



Component A



Component B



Component C



Component D



Component E



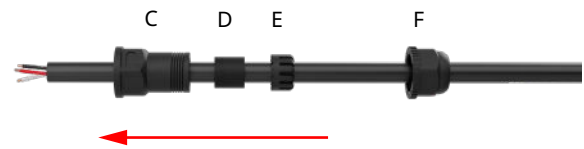
Component F

You have to prepare:

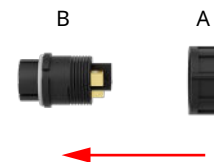


DC Power Cable
with Exposed Conductors

Step 1: Guide the cable through components C, D, E and F carefully.



Step 2: Anchor components A to B.



Step 3: Insert the conductors into the golden pin and secure them with a screwdriver, ensuring each conductor is properly positioned.



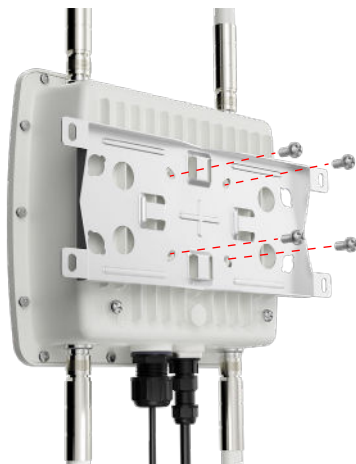
Step 4: Tighten components A, C and F.



AP PRO AX (HW2)

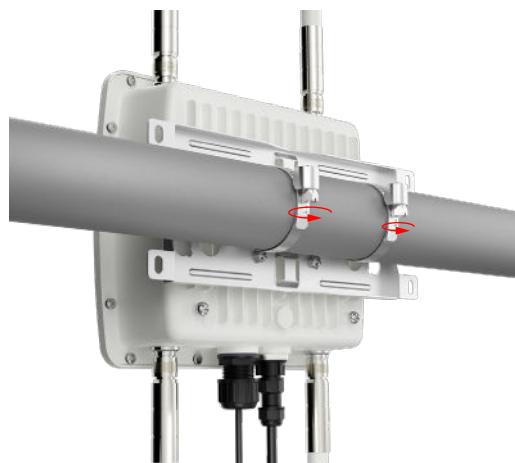
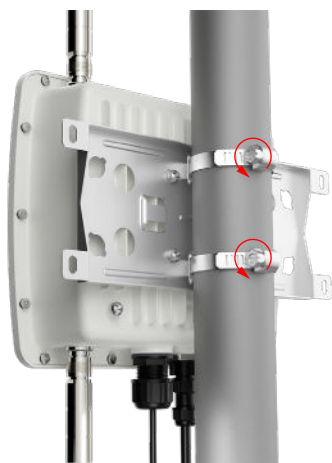


Installation Guide



Pole Mount (Vertical)

Pole Mount (Horizontal)



Wall Mount

